

TEAC



SERVICE MANUAL

RW-H500



CD Rewritable Deck

CONTENTS

1 SPECIFICATIONS	2
2 ADJUSTMENTS AND CHECKS	3
3 EXPLODED VIEWS AND PARTS LIST	5
4 PC BOARDS AND PARTS LIST	7
5 INCLUDED ACCESSORIES	13

目次

1 仕様	2
2 調整と確認	3
3 分解図とパーツリスト	5
4 基板図とパーツリスト	7
5 付属品	13

NOTES

- PC boards shown are viewed from parts side.
- Parts marked with * require longer delivery time.
- The parts with no reference number or no parts number in the exploded views are not supplied.
- As regards the resistors and capacitors, refer to the circuit diagrams contained in this manual.
- △ Parts marked with this sign are safety critical components. They must be replaced with identical components - refer to the appropriate parts list and ensure exact replacement.
- Parts of [] mark can be used only with the version designated.
[J]: JAPAN [US]: U.S.A. [C]: CANADA [GE]: GENERAL EXPORT
[E]: EUROPE [UK]: U.K. [A]: AUSTRALIA

注 意

- プリント基板図は部品面を示しています。
- *印の部品は納期が若干かかります。
あらかじめご了承ください。
- 分解図に部番のない部品および品番のない部品は供給できません。
- 標準の抵抗、コンデンサーは省略してあります。
回路図を参照してください。
- △印は安全重要部品です。
交換する時は必ず指定の部品を使用してください。
- 仕向先
[J]: JAPAN [US]: U.S.A. [C]: CANADA [GE]: GENERAL EXPORT
[E]: EUROPE [UK]: U.K. [A]: AUSTRALIA

1 SPECIFICATIONS

仕様

Media type	CD-RW and CD-R for Digital audio (record and playback), CD (playback only)	記録メディア	音楽用CD-R/CD-RW
Frequency converter input sampling frequency	32kHz~48kHz	入力サンプリング周波数	32kHz~48kHz
Recording sampling frequency	44.1kHz	録音サンプリング周波数	44.1kHz
Frequency response	20Hz~20kHz (playback: ±0.5dB, recording: ±1dB)	周波数特性	20Hz~20kHz (再生時: ±0.5dB、記録時: ±1dB)
Signal to noise ratio	More than 93dB (playback) More than 87dB (recording)	S/N比	93dB以上(再生時) 87dB以上(記録時)
Dynamic range	More than 93dB (playback) More than 87dB (recording)	ダイナミックレンジ	93dB以上(再生時) 87dB以上(記録時)
Total Harmonic Distortion	Less than 0.007% (playback) Less than 0.009% (recording)	歪率	0.007%以下(再生時) 0.009%以下(記録時)
Wow & flutter	Unmeasurable	ワウ・フラッター	測定限界以下
Audio Input Sensitivity/Impedance	LINE: -6dBV (0.5V) /20kΩ	入力端子	アナログ: ライン×1系統 デジタル: 光×1系統
Maximum Input level	LINE: +6dBV (2.0V)	出力端子	アナログ: ライン×1系統 デジタル: 光×1系統
Output Level/Impedance	LINE: -6dBV(0.5V) /1kΩ	ライン入力	入カインピーダンス: 20kΩ 規定入力レベル: -6dBV(0.5V) 最大入力レベル: +6dBV(2.0V)
Maximum Output level	LINE: +6dBV (2.0V)	ライン出力	出カインピーダンス: 1kΩ 規定出力レベル: -6dBV(0.5V) 最大出力レベル: +6dBV(2.0V)
Power supply	120/230 V AC, 50/60Hz (General export model) 230 V AC, 50Hz (Europe model)	電源	AC100V、50-60Hz
Power consumption	25 W	消費電力	25W
Dimensions (W x H x D)	285 x 129 x 310 mm (11-1/4"x5-1/16"x12-3/16")	外形寸法(幅×高さ×奥行)	285×129×310mm
Weight (Net)	5.7kg (12-1/2 lb)	質量	5.7kg
Standard Accessories	Audio signal connection cord x 2 Remote control cord x 1 Remote control unit x 1 Batteries (AA,R6,SUM-3) x 2	動作保証温度	5°C~35°C
		付属品	リモコン(RC-754) リモコン用乾電池(単3)×2本 オーディオケーブル×2本 リモートコントロールコード×1本 取扱説明書 保証書

- Improvements may result in specification or feature changes without notice.

- 仕様および外観は、改善のため予告なく変更することがあります。

SAFETY INFORMATION

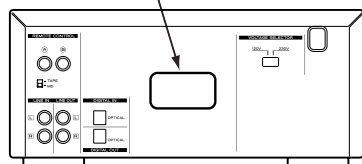
This product has been designed and manufactured according to FDA regulations "title 21, CFR, chapter 1, subchapter J, based on the Radiation Control for Health and Safety Act of 1968", and is classified as a class 1 laser product. There is no hazardous invisible laser radiation during operation because invisible laser radiation emitted inside of this product is completely confined in the protective housings. The label required in this regulation is shown ①.

● CAUTION

USE OF CONTROLS OR ADJUSTMENT OR PERFORMANCE OF PROCEDURES OTHER THAN THOSE SPECIFIED HEREIN MAY RESULT IN HAZARDOUS RADIATION EXPOSURE.

Optical pickup:	Type	: KRS-202A or KRS-220B
	Manufacturer	: SONY Corporation
	Laser output	: Less than 0.1 mW (Play) and 32 mW (Record) on the objective lens
	Wavelength	: 777 - 787 nm

① For U.S.A.



2 ADJUSTMENTS AND CHECKS

調整と確認

2-1 Test Mode

In Standby mode, press and hold the stop + play + pause keys simultaneously for 5 seconds. The display will show the model name and the system controller's version number, and the test mode is initiated.

Press the stop key to exit from the test mode and return to the standby mode.

2-1-1 Front key check

1. Press the play key to enter the front key check mode.
2. The display shows the name of each key to be checked; press the corresponding key.
When the check result of the key is OK, the display shows another key name. When the result is No Good, the display continues to show the same key name.
3. When all of the keys have been checked, the display shows "vol150, dial150". Check the multi jog dial to confirm that the figure after "dial" increases when the dial is rotated clockwise and decreases when it is rotated counterclockwise.
4. Then check the rec level control to confirm that the figure after "vol" increases when the control is rotated clockwise and decreases when it is rotated counterclockwise.
5. Press the play key to exit from the front key check mode and return to the Version number display mode.

2-1-2 Display check

1. Press the display key to enter the display check mode.
2. Press display key a few times and ensure that each press lights the display blocks one after another.
3. When all the indicators are lit, press the display key to exit from the display check mode and return to the Version number display mode.

2-1-3 EEPROM default setting

1. Press the erase key.
This writes the default values in the EEPROM and checks the written data. When the default data is written correctly, the display shows "EEPROM OK !!". If not, it shows "EEPROM NG !!".
2. Press the erase key again to return to the Version number display mode.

2-1-4 Total recording time display

1. When the record key is pressed, the display shows the time in which the pickup outputs the recording power (in the unit of hour).
2. Press the record key again to return to the Version number display mode.

2-1 テストモード

スタンバイモードの状態、stop キー+ play キー+ pause キーを5秒間押し続けると、表示部に機種名とシスコの Version No. が表示されテストモードに入る。

stop キーを押すと、テストモードは終了しスタンバイモードに戻る。

2-1-1 フロントキーチェック

1. play キーを押し、フロントキーチェックモードに入る。
2. 表示部にチェックするキーの名称が表示されるので、そのキーを押す。
チェックOKなら次のキーの名称が表示され、NGなら表示は変化しない。
3. 一通りキーの確認が終了すると、ディスプレイに "vol150, dial150" と表示される。multi jog を回し、"dial" 側の数字が右回しで増加、左回しで減少することを確認する。
4. 次に rec level を回し、"vol" 側の数字が右回しで増加、左回しで減少することを確認する。
5. play キーを押すと、フロントキーチェックモードを終了し Version No. 表示に戻る。

2-1-2 ディスプレイチェック

1. display キーを押し、ディスプレイチェックモードに入る。
2. display キーを押すたびに、表示部がブロックごとに点灯して行くことを確認する。
3. 表示部が全点灯した状態から display キーを押すと、ディスプレイチェックモードを終了し Version No. 表示に戻る。

2-1-3 EEPROM デフォルト設定

1. erase キーを押す。
EEPROMにデフォルト値を書き込み、自動的に書き込みチェックを行う。このとき、正しく書き込めていれば、表示部に "EEPROM OK !!" と表示され、不良の場合は "EEPROM NG !!" と表示される。
2. 再度 erase キーを押すと、Version No. 表示に戻る。

2-1-4 記録積算時間表示

1. record キーを押すと、ピックアップが記録パワーを出力した時間を表示する。(単位 : hour)
2. 再度 record キーを押すと、Version No. 表示に戻る。

2-2 Audio Check オーディオ系の確認

2-2-1 Playback performance 再生系

Measurement point: LINE OUT

Mode: play

ITEM 項目	TEST DISC テストディスク	PLAYBACK SIGNAL 再生信号	SPECIFICATIONS 規格	REMARKS 備考
1. Playback level 再生レベル	MCD-111 Track 2	1kHz, 0dB	2.0±0.4V	
2. Playback frequency response 再生周波数特性	MCD-111 Track 3~6	20Hz~20kHz, 0dB	0±0.5dB	Reference level: 1kHz 1kHz基準
3. Playback distortion 再生歪率	MCD-111 Track 2	1kHz, 0dB	0.012% or less	20kHz LPF in
4. Playback S/N ratio 再生S/N比	MCD-111 Track 7	-∞dB	88dB or better	20kHz LPF in + IEC-A
5. Playback channel separation 再生チャンネル セパレーション	MCD-111 Track 8, 10	1kHz, 0dB	80dB or better	IEC-A

2-2-2 Monitor performance モニター系

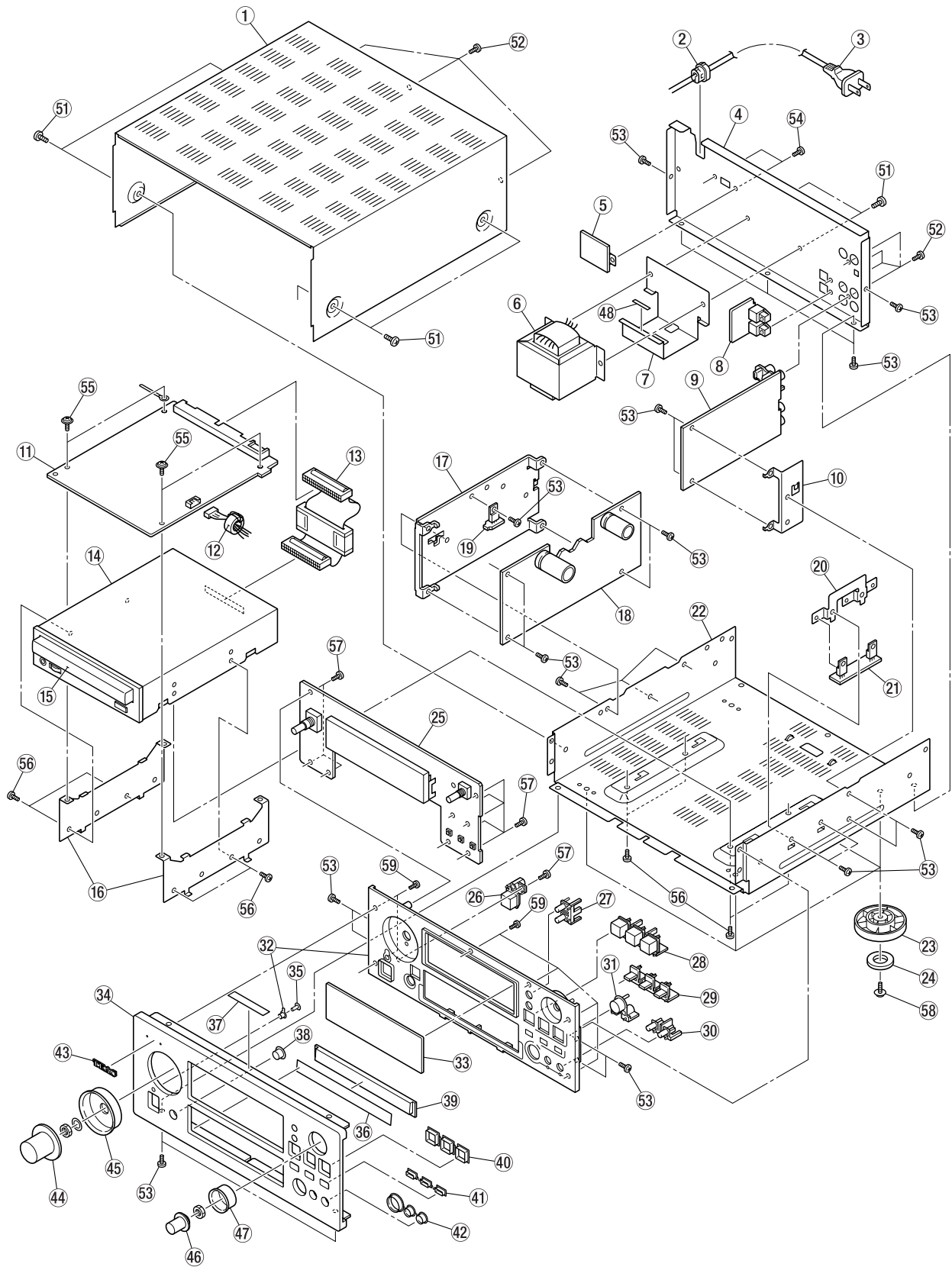
Measurement point: LINE OUT

Mode: record monitor

ITEM 項目	INPUT SIGNAL (LINE IN) 入力信号	SPECIFICATIONS 規格	REMARKS 備考
1. Specified input level 規定入力レベル	1kHz, -6dBv	-6dBv±2dB	Turn rec level to display "VOLUME +1dB". Do not alter the value after setting. rec level を回し、ディスプレイの表示が "VOLUME +1dB" となるように設定する。 調整後は動かさないこと。
2. Monitor frequency response モニター周波数特性	20Hz~20kHz, -6dBv	0±1dB	Reference level: 1kHz 1kHz基準
3. Monitor S/N ratio モニターS/N比		83dB or better	Ratio between the output level and noise when the input level is +6 dBv. +6dBv入力時の出力レベルとノイズとの比 20kHz LPF in + IEC-A
4. Monitor channel separation モニターチャンネル セパレーション	L (R) ch: 1kHz, +6dBv R (L) ch: No signal	75dB or better	Ratio between the L CH and R CH outputs. Lchの出力とRchの出力の比。
	Lch: 10kHz, +6dBv Rch: No signal	55dB or better	IEC-A
5. Monitor distortion モニター歪率	1kHz, +5dBv	0.015% or less	20kHz LPF in

3 EXPLODED VIEWS AND PARTS LIST

分解図とパーツリスト



PARTS LIST

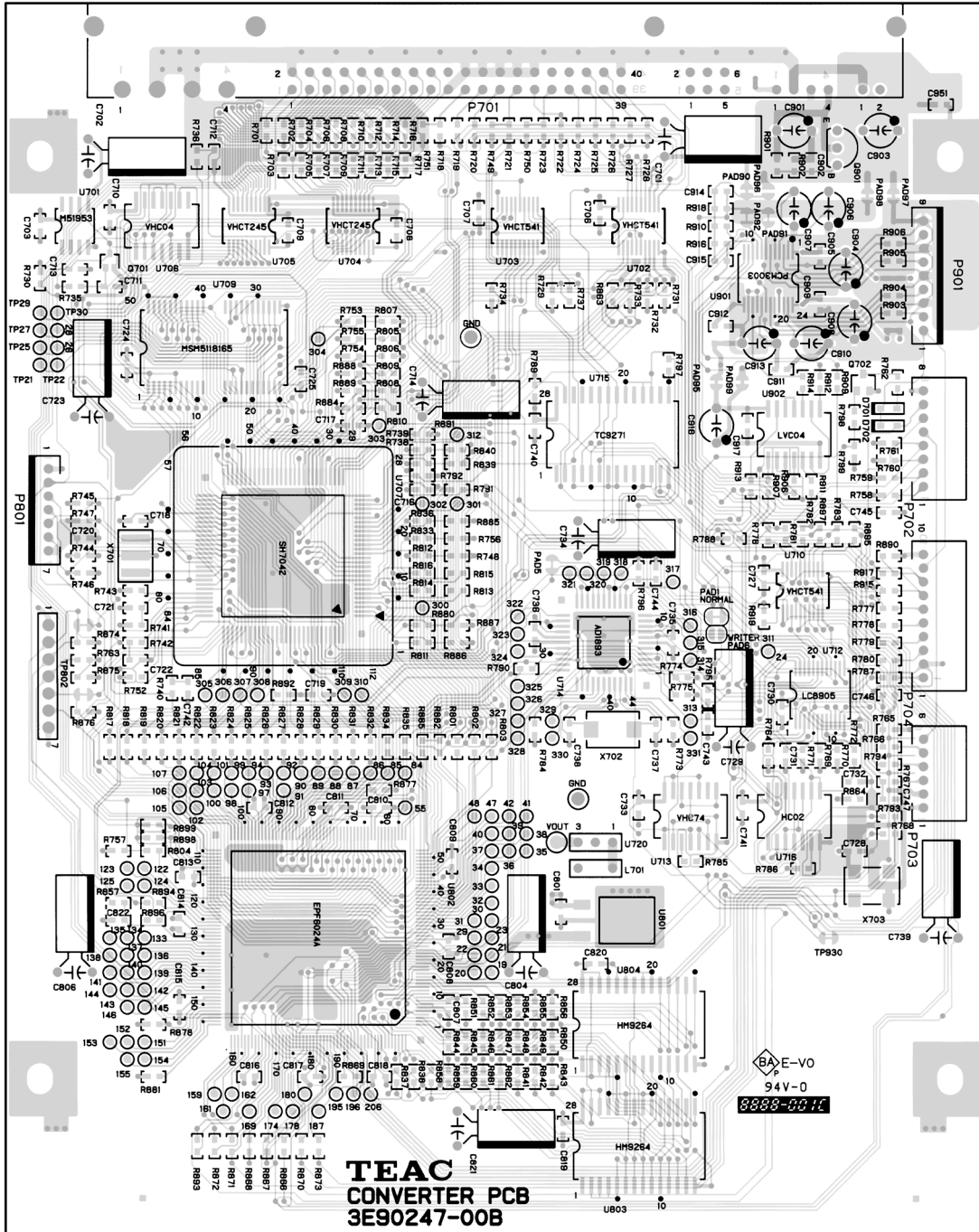
REF. NO.	PARTS NO.	DESCRIPTION
1	* 3M0093800A	BONNET
2	△ * 3M000880	BUSHING, #2271
3	△ * 3E009000	POWER CORD [J]
	△ * 3E009230	POWER CORD [US, C, GE]
	△ * 3E000340	POWER CORD [E]
	△ * 3E000350	POWER CORD [UK]
	△ * 3E000360	POWER CORD [A]
4	* 3M0092700A	PANEL, REAR [J, E, UK, A]
	* 3M0092710A	PANEL, REAR [US, C, GE]
5	* 3E9522900A	PCB ASSY, V SELECT [US, C, GE]
6	△ 3E0117700A	TRANS, CDRW
7	* 3M0092800A	BRACKET, TRANS
8	* 3E9522800A	PCB ASSY, DIGITAL I/O
9	* 3E9522700A	PCB ASSY, AUDIO
10	* 3M0096100A	BRACKET, PCB P/A
11	* 3E9524700C	PCB ASSY, CONVERTER
12	* 3E002720	FER. CORE K5AT 18. 3X10X10
13	* 3E0117100A	WIREA, DRIVE-CONVERT 40P
14	V00089400A	CD-W54E-A90
15	3M0093900A	PANEL, TRAY
16	* 3M0090700A	BRACKET, PCB CONV
17	* 3M0090800B	BRACKET, PCB POWER
18	* 3E9522600B	PCB ASSY, POWER [J]
	* 3E9522610B	PCB ASSY, POWER [US, C, GE]
	* 3E9522640B	PCB ASSY, POWER [E, UK]
	* 3E9522660B	PCB ASSY, POWER [A]
19	* 3E9524900B	PCB ASSY, REG
20	* 3M0025900A	PLATE, IC
21	* 3E9525000A	PCB ASSY, P SUB
22	* 3M0092900A	CHASSIS, MAIN
23	3M0094700A	FOOT, D50
24	3M0092600A	CUSHION, FOOT T3
25	* 3E9523000B	PCB ASSY, FRONT
26	3M0093100A	BUTTON, POWER
27	3M0093500A	BUTTON, DIS/MNU
28	3M0093400A	BUTTON, STP/PLY/PAS
29	3M0093300A	BUTTON, RCD/SYC/SEL
30	3M0094900A	BUTTON, ERS/FNL
31	3M0093200A	BUTTON, OPN/CLS
32	* 3M0093700B	ESCUTCHEON, FRONT
33	* 3M0093000A	WINDOW, FL
34	* M00944500A	FRONT PANEL
35	* 3M0094200A	LENS, LED
36	* 3M0107700B	PANE COLLAR TRAY [E, UK]
37	* 3M0099800A	SHEET, PANEL FRONT
38	* 3M0093600A	FILTER, SENSOR
39	* 3M0094600A	COLLAR, TRAY
40	3M0094500A	COLLAR, BTTN STP/PLY/PAS
41	3M0094400A	COLLAR, BTTN RCD/SYC/SEL
42	3M0094300A	COLLAR, BTTN OPN/CLS
43	* 5801533700	EMBLEM, TEAC (GRY T.)
44	M00944900A	KNOB ASSY, REC

REF. NO.	PARTS NO.	DESCRIPTION
45	3M0094000A	COLLAR, KNOB REC
46	M00944800A	KNOB ASSY, D12 JOG
47	3M0094100A	COLLAR, KNOB JOG
48	* 3M0099900B	SHEET, TRANS
51	* 3B0004508A	SCREW, BPS M4X8 (BLK)
52	* 3B0008008A	SCREW, BPBR M3X8 (BLK)
53	* 3B0005708A	SCREW, BPB M3X8 (BLK)
54	* 3B0004408A	SCREW, BPS M3X8 (BLK) [US, C, GE]
55	* 3B0001306A	SCREW, J, S M3X6
56	* 3B0007400A	SCREW, BPAA M3X6
57	* 3B0006208A	SCREW, BPP M3X8
58	* 3B0001308A	SCREW, J, S M3X8
59	* 3B0005206A	SCREW, BPB M2. 6X6

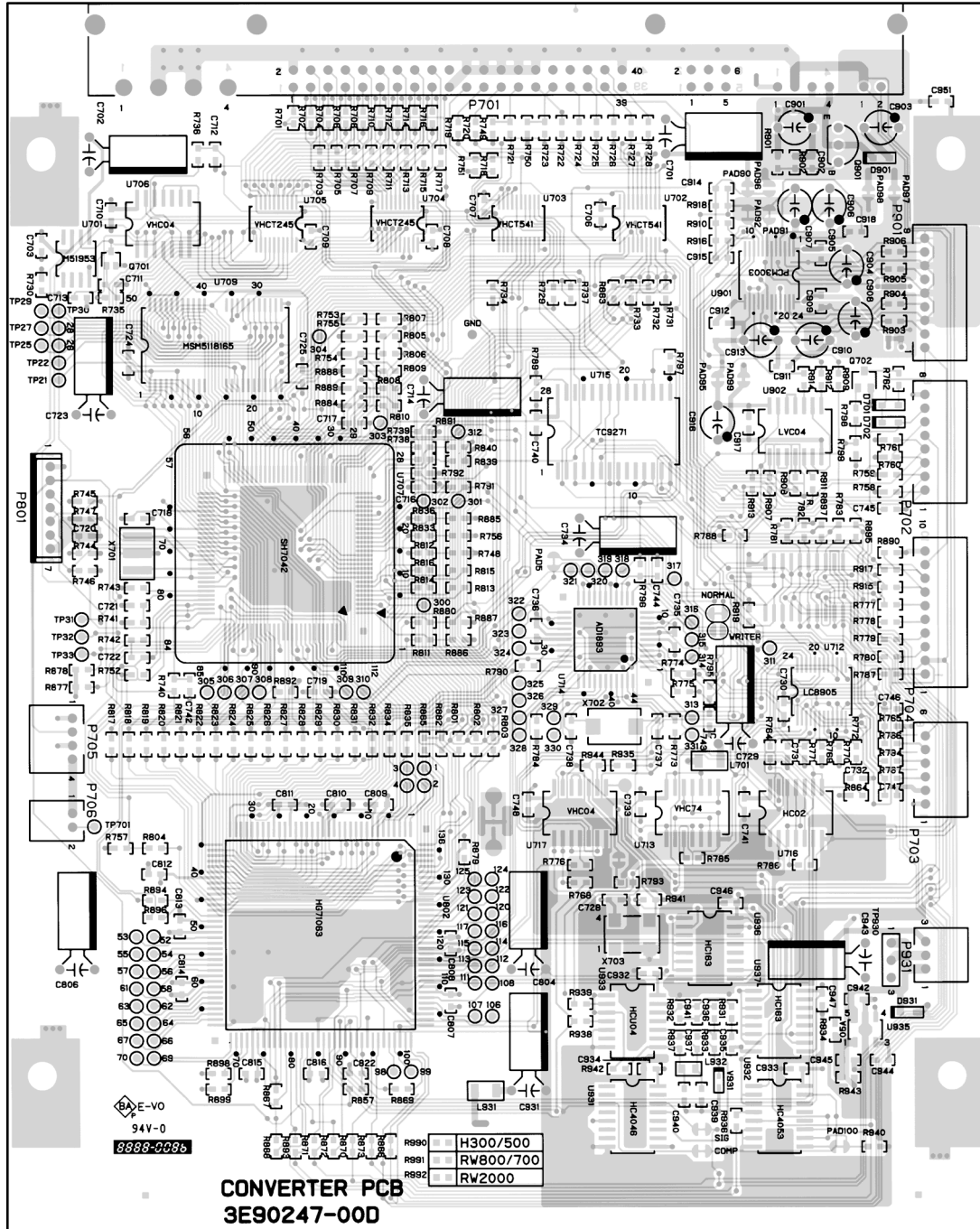
4 PC BOARDS AND PARTS LIST

基板図とパーツリスト

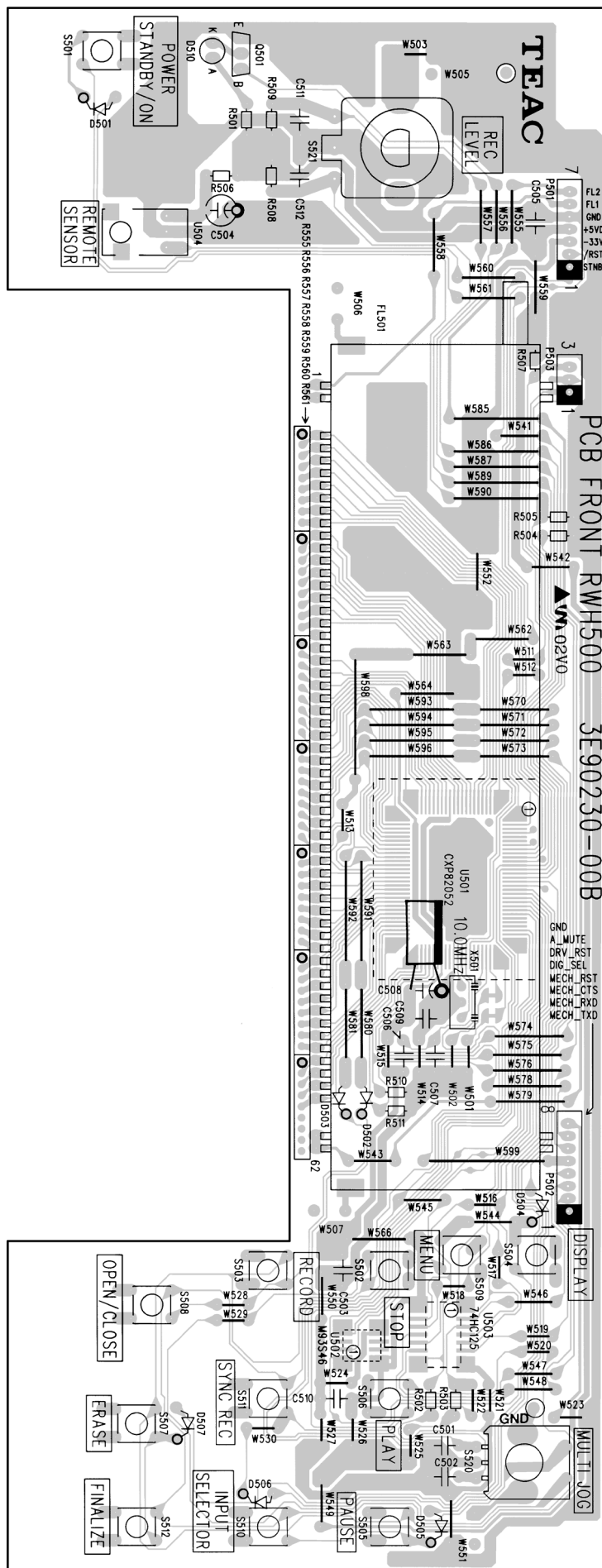
CONVERTER PCB (3E9024700B)



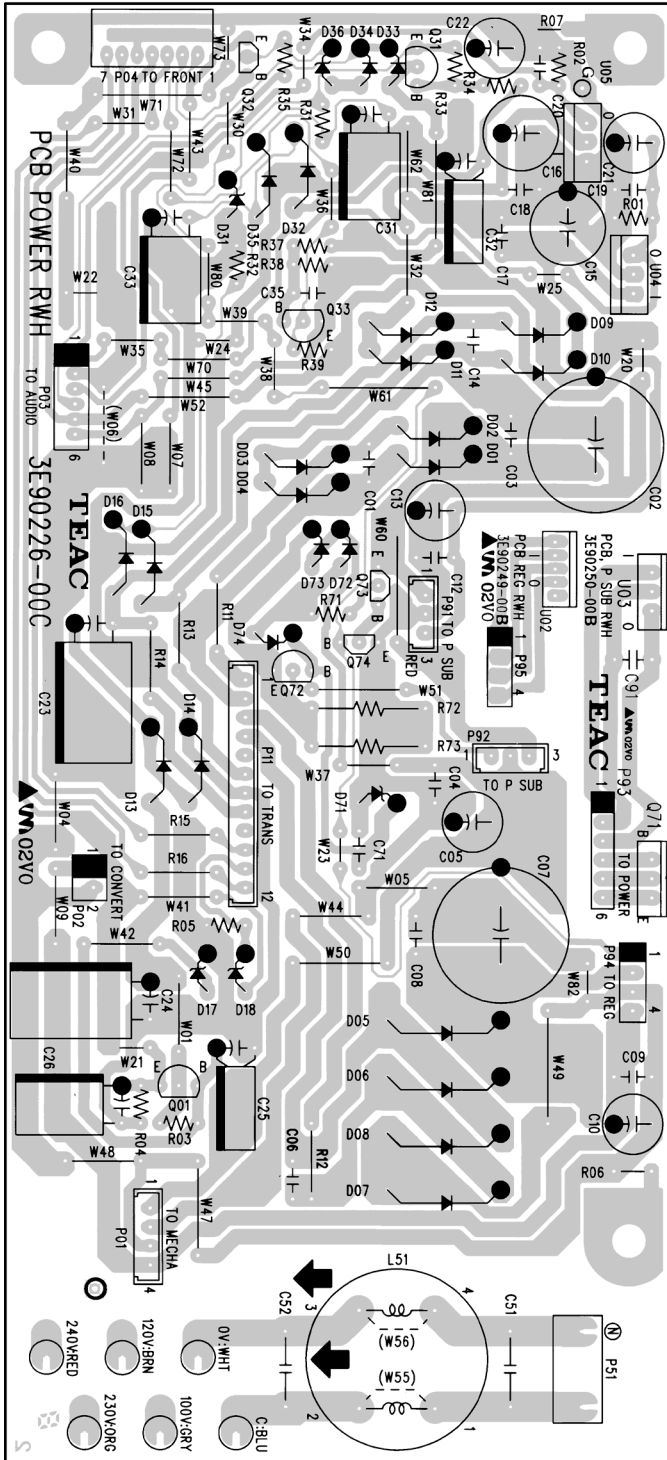
CONVERTER PCB (3E9024700)



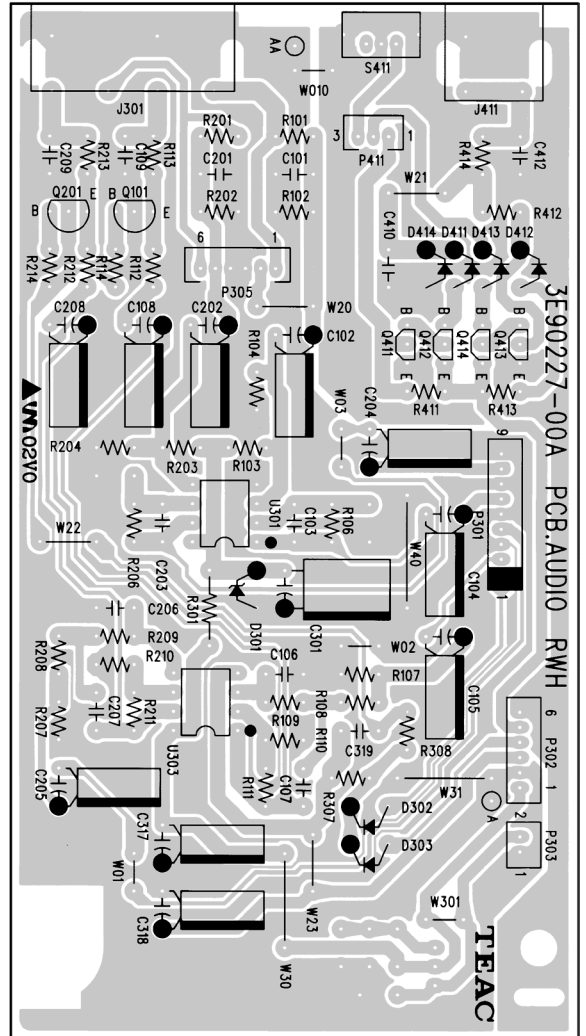
FRONT PCB



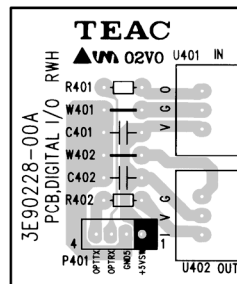
POWER PCB/REG PCB/P SUB PCB



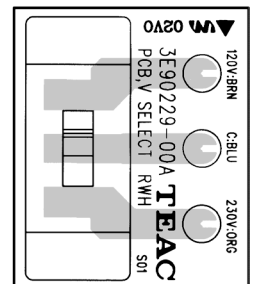
AUDIO PCB



DIGITAL I/O PCB



V SELECT PCB



CONVERTER PCB ASSY

REF. NO.	PARTS NO.	DESCRIPTION
	* 3E9524700C	PCB ASSY, CONVERTER
D701, 702	3S002984	DIODE, 1SS355
D901	3S002984	DIODE, 1SS355
L701	E0013294	COIL, LQH3N 4.7UH
P701	3E011730	CONNECT, NS-TECH
P702	3E000720	CONNECT PLUG 8P, B8B-PH-K
P703	3E000700	CONNECT PLUG 6P, B6B-PH-K
P801	3E000710	CONNECT PLUG 7P, B7B-PH-K
P901	3E000730	CONNECT PLUG 9P, B9B-PH-K
Q701	3S002994	TR, DTC124EUA
Q702	3S003004	TR, 2SA1037AK
Q901	3S000000	TR, 2SC1815GR
U702, 703	S0037164	IC, TC74VHCT541AFT (EL)
U704, 705	S0037174	IC, TC74VHCT245AFT (EL)
U706	3S002924	IC, TC74VHC04F (EL) SMT
U707	S00368800A	IC, HD6437042 CONVERT
U709	S0036813	IC, MSM5118165D
U712	3S002954	IC, LC8905V
U713	3S002914	IC, TC74VHC74F (EL) SMT
U714	S0030993	IC, AD1893JST
U715	3S002944	IC, TC9271F (ELP) SMT
U716	3S002934	IC, TC74HC02AF (EL) SMT
U717	3S002924	IC, TC74VHC04F (EL) SMT
U802	S00361900A	IC, AUDIO CONVERTER
U901	3S003084	IC, PCM3003E
U902	S0037324	IC, HD74LVC04FPEL
X701	3E011994	RES, CSTCC 7.17MGOH6-TC
X702	3E011984	X' TAL, LIM55A 16MHZ
X703	3E011974	X' TAL, 11.289MHZ

FRONT PCB ASSY

REF. NO.	PARTS NO.	DESCRIPTION
	* 3E9523000B	PCB ASSY, FRONT
	* 3M0068405A	LED HOLDER
	* 3M0090900A	HOLDER, FL
D501-507	3S000241	DIODE, 1SS133
D510	3S000190	LED, RED (3D1A) LH2041
FL501	3E0117500A	DISPLAY, HNA-16MM23 RW(L)
Q501	3S000291	TR, DTC124ES
S501-512	3E002070	SW, TACT SKQ5AB HMR-187
S520	3E007320	SW, ENCODER EC11B15244
S521	3E013300	ENCODER, EC16B24104F25
U501	3S0030600A	IC, CXP82040-1120
U502	3S003254	IC, BR93LC46RF-WE2 SMT
U503	3S003074	IC, TC74HC125AF (EL) SMT
U504	3S002200	REMOCON. SENSER, TSOP1838RF
X501	3E011740	RESONATOR, CST 10.00MTW

POWER PCB ASSY

REF. NO.	PARTS NO.	DESCRIPTION
	* 3E9522600B	PCB ASSY, POWER [J]
	* 3E9522610B	PCB ASSY, POWER [US, C, GE]
	* 3E9522640B	PCB ASSY, POWER [E, UK]
	* 3E9522660B	PCB ASSY, POWER [A]
C02	△ 3C012790	CE, 35V 4700UF GS
C05	△ 3C009700	CE, 35V 100UF GS
C07	△ 3C001350	CE, 16V 10000UF M
C10	△ 3C009700	CE, 35V 100UF GS
C13	△ 3C009700	CE, 35V 100UF GS
C15, 16	△ 3C009820	CE, 25V 470PF GS
C24	△ 3C009710	CE, 50V 100UF GS
C31	△ 3C009730	CE, 25V 220UF GS
C32	△ 3C000270	CE, 50V 4.7UF M
C33	△ 3C009640	CE, 50V 22UF GS
D01-04	△ 3S000031	DIODE, 1N4003-TR
D05-08	△ 3S001130	DIODE, 1N5404
D09-16	△ 3S000031	DIODE, 1N4003-TR
D17	3S001750	ZDI, MTZJ33B
D18, 31	3S000681	ZDI, MTZJ5.1B
D32	△ 3S000031	DIODE, 1N4003-TR
D33, 34	3S000241	DIODE, 1SS133
D35	△ 3S000031	DIODE, 1N4003-TR
D36	3S000681	ZDI, MTZJ5.1B
D71	3S003201	ZDI, MTZJ12B
D72-74	3S000241	DIODE, 1SS133
L51	△ 3E004290	COIL, 1MH/1.5A FKOB160MH16
P01	3E001160	CONNECT PLUG 4P, B4B-EH-A
P04	3E009800	CONNECT PLUG 7P, 89401-0710
P11	3E001240	CONNECT PLUG 12P, B12B-EH-A
P51	△ 3E002170	TERMINAL LAPPING 2P[E, UK, A]
P91	3E013140	CONNECT 3P, B3B-EH-A (RED)
P92	3E001150	CONNECT PLUG 3P, B3B-EH-A
Q01	△ 3S002300	TR, KSA733C-GTA
Q31	△ 3S002300	TR, KSA733C-GTA
Q32	3S002450	TR, DTC114ES
Q33	3S002310	TR, KSC945C-GTA
Q72	3S002310	TR, KSC945C-GTA
Q73	3S000301	TR, DTA124ES
Q74	3S000291	TR, DTC124ES
R72, 73	△ 3R007100	RD, 1/2W 470 OHM J
U04	△ 3S002170	IC, NJM7812FA
U05	△ 3S003030	IC, NJM7912FA

REG PCB ASSY

REF. NO.	PARTS NO.	DESCRIPTION
	* 3E9524900B	PCB ASSY, REG
U02	△ 3S003040	IC, BA05ST

P SUB PCB ASSY

REF. NO.	PARTS NO.	DESCRIPTION
	* 3E9525000A	PCB ASSY, P SUB
Q71	△ 3S000400	TR, 2SB1015Y
U03	△ 3S000650	IC, NJM7805FA

AUDIO PCB ASSY

REF. NO.	PARTS NO.	DESCRIPTION
	* 3E9522700A	PCB ASSY, AUDIO
D301	3S001891	ZD1, MTZJ6. 2B
D302, 303	3S000241	DIODE, 1SS133
D411-414	3S000241	DIODE, 1SS133
J301	3E011960	JACK, RCA 4P RJ-1073B-41
J411	3E011950	JACK, RCA 2P RJ-1060B-01
P302	3E000700	CONNECT PLUG 6P, B6B-PH-K
P303	3E000660	CONNECT PLUG 2P, B2B-PH-K
P411	3E000670	CONNECT PLUG 3P, B3B-PH-K
Q101, 201	3S000731	TR, 2SD2144S
Q411	3S000291	TR, DTC124ES
Q412	3S000301	TR, DTA124ES
Q413	3S000291	TR, DTC124ES
Q414	3S000301	TR, DTA124ES
S411	3E011940	SW, SLIDE 1-2 SSAA12-B
U301	3S000260	IC, NJM4558D
U303	3S000260	IC, NJM4558D

DIGITAL I/O PCB ASSY

REF. NO.	PARTS NO.	DESCRIPTION
	* 3E9522800A	PCB ASSY, DIGITAL I/O
U401	3S001680	IC, GP1F32R
U402	3S002290	IC, GP1F32T

V SELECT PCB ASSY

REF. NO.	PARTS NO.	DESCRIPTION
	* 3E9522900A	PCB ASSY, V SELECT [US, C, GE]
S01	△ 3E002110	SW, SLIDE SL13B-022

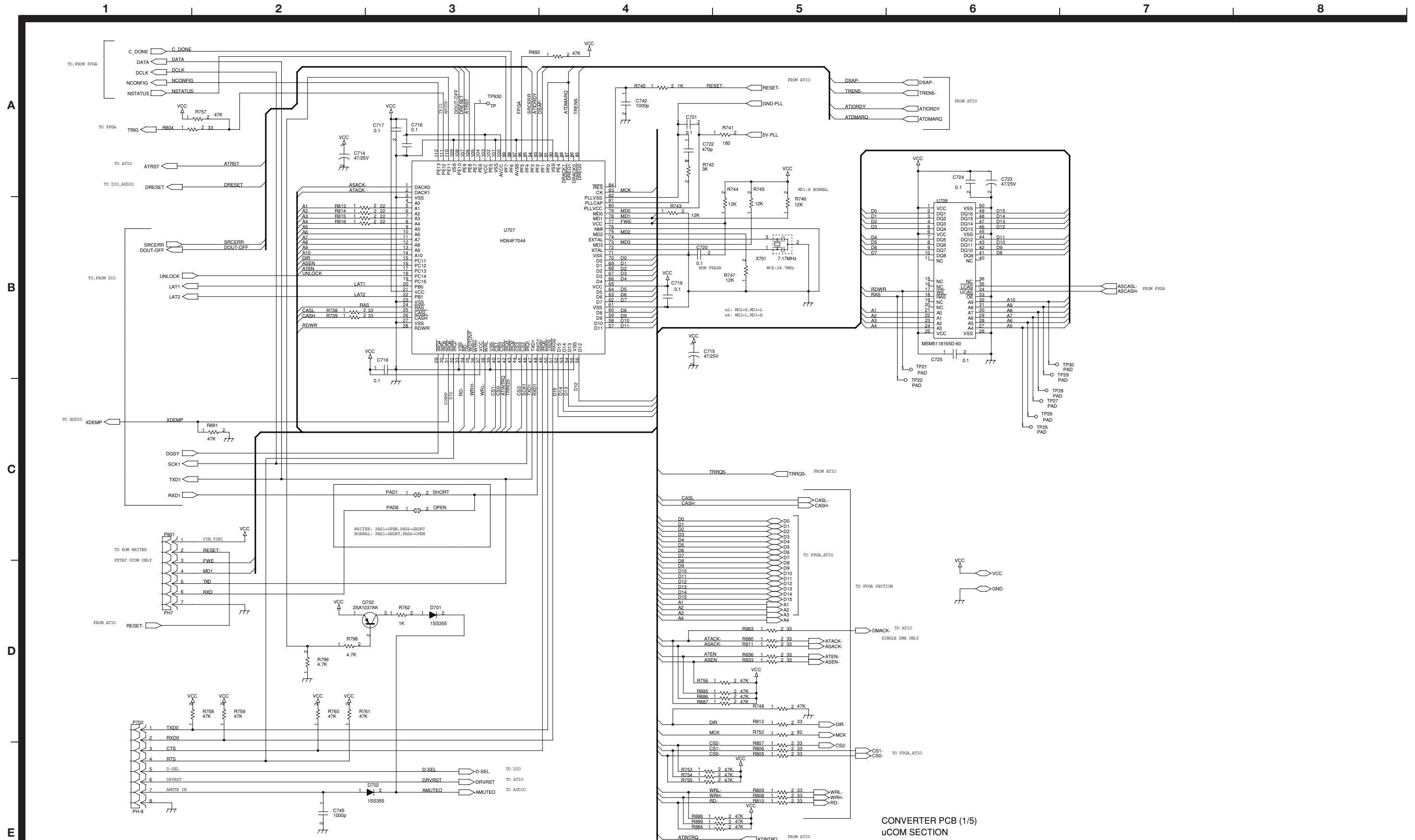
5 INCLUDED ACCESSORIES

付属品

INCLUDED ACCESSORIES

REF. NO.	PARTS NO.	DESCRIPTION	REMARKS
	* 3D0033000A	OWNER'S MNL, JPN [J]	
	* 3D0033100A	OWNER'S MNL, E/F/G/I/S [EXCEPT J]	
	* 3D0034700A	MNL START GUIDE, E/F [EXCEPT J]	
	* 3D0035100A	MNL START GUIDE, GIS [E]	
	3E0123600A	REMOTE CONTROL UNIT, RC-754	
	* 3E003660	BATTERY, UM-3(2P X ED)	
	* 3E000380	PIN CORD	
	* 3E013190	CABLE OPTICAL 1.0M	
	* 3E0127600A	PIN CORD 1P	

TEAC SCHEMATIC DIAGRAM RW-H500 CONVERTER PCB (1/5) (3E9024700B)



INSTRUCTIONS FOR SERVICE PERSONNEL
BEFORE RETURNING APPLIANCE TO THE CUSTOMER, MAKE LEAKAGE-CURRENT OR RESISTANCE MEASUREMENTS TO DETERMINE THAT EXPOSED PARTS ARE ACCEPTABLY INSULATED FROM THE SUPPLY CIRCUIT.

NOTES:
 1. Resistor values are in ohms (k=kilo-ohms, M=megohms).
 2. Capacitor values are in microfarads (p=picofarads).
 3. Δ Parts marked with this sign are safety critical components.
 They must always be replaced with identical components-refer to the appropriate parts list and ensure exact replacement.

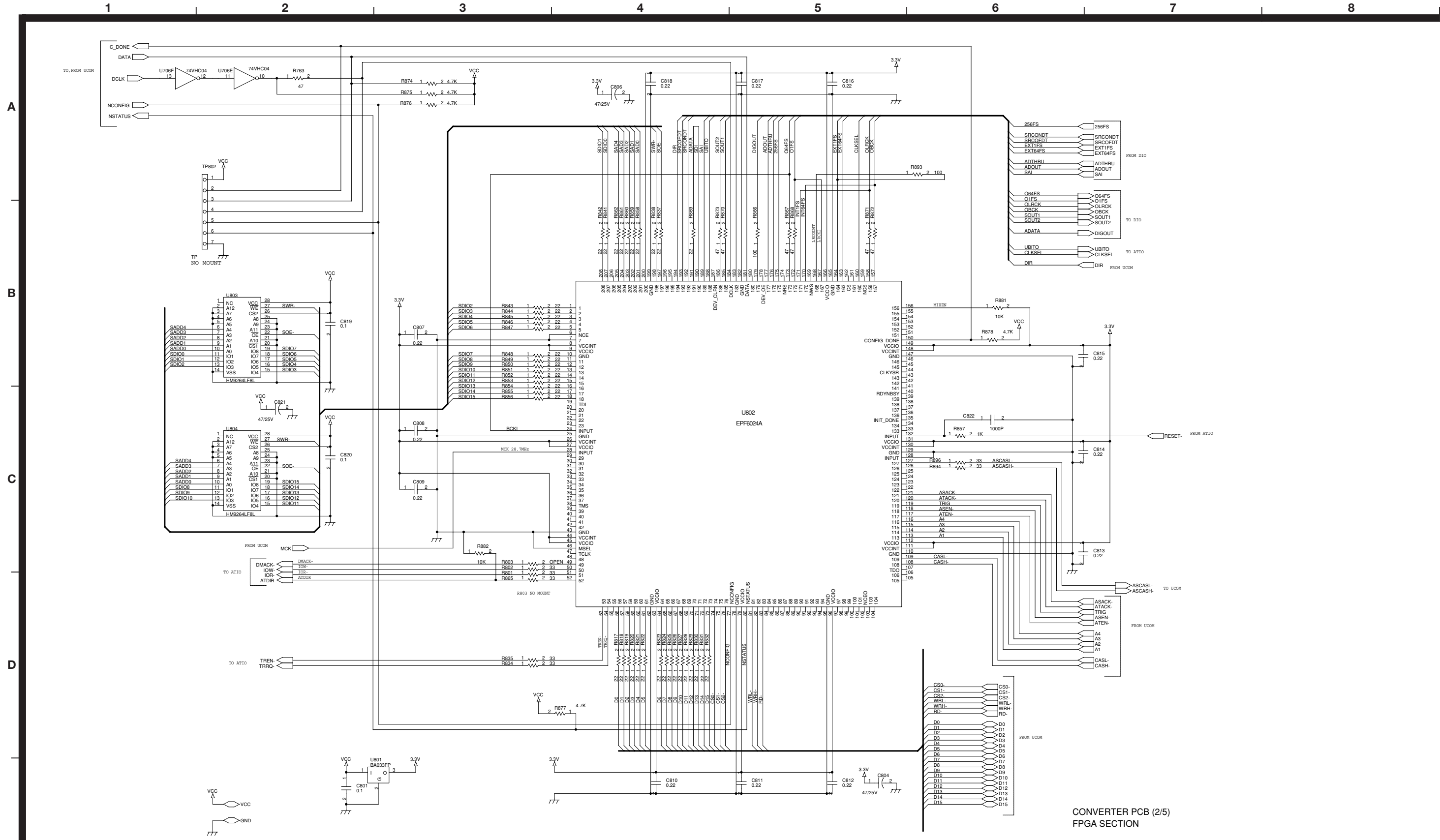
注意
 1. 抵抗の単位は Ω (k=k Ω , M=M Ω)です。
 2. コンデンサの単位は μF (p=pF)です。
 3. Δ マークのある部品は安全規格重要部品です。交換するときは必ずテック指定の部品を使用してください。

RW-H500

CD Rewritable Deck

1st Issue; May 2000

TEAC SCHEMATIC DIAGRAM RW-H500 CONVERTER PCB (2/5) (3E9024700B)



CONVERTER PCB (2/5)
FPGA SECTION

INSTRUCTIONS FOR SERVICE PERSONNEL
BEFORE RETURNING APPLIANCE TO THE CUSTOMER, MAKE LEAKAGE-CURRENT OR RESISTANCE MEASUREMENTS TO DETERMINE THAT EXPOSED PARTS ARE ACCEPTABLY INSULATED FROM THE SUPPLY CIRCUIT.

NOTES:
1. Resistor values are in ohms (k=kilo-ohms, M=megohms).
2. Capacitor values are in microfarads (p=picofarads).
3. Δ Parts marked with this sign are safety critical components. They must always be replaced with identical components-refer to the appropriate parts list and ensure exact replacement.

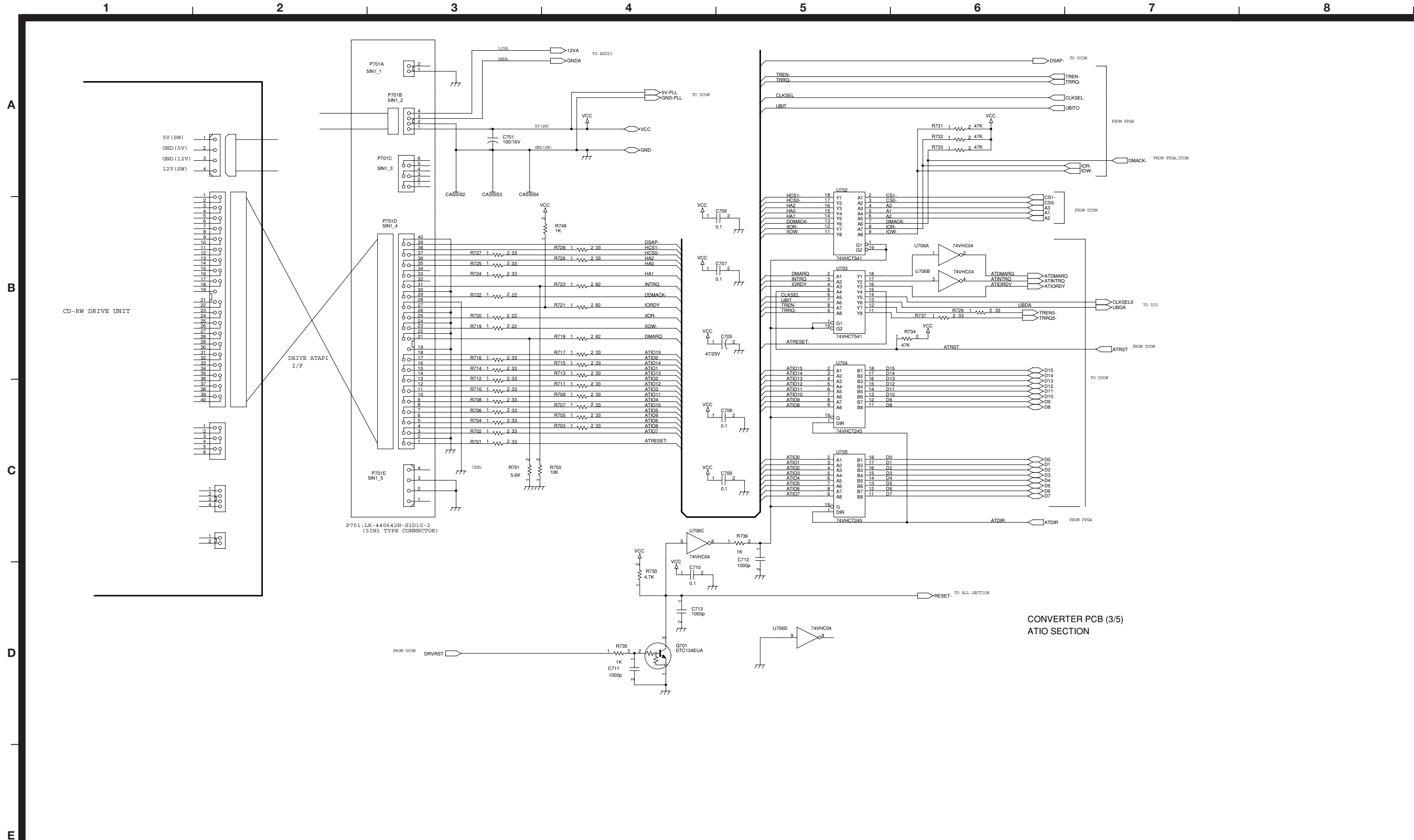
注意
1. 抵抗の単位は Ω (k=k Ω , M=M Ω)です。
2. コンデンサの単位は μF (p=pF)です。
3. Δ マークのある部品は安全規格重要部品です。交換するときは必ずティアック指定の部品を使用してください。

RW-H500

CD Rewritable Deck

1st Issue; May 2000

TEAC SCHEMATIC DIAGRAM RW-H500 CONVERTER PCB (3/5) (3E9024700B)



CONVERTER PCB (3/5)
ATIO SECTION

INSTRUCTIONS FOR SERVICE PERSONNEL
BEFORE RETURNING APPLIANCE TO THE CUSTOMER, MAKE LEAKAGE-CURRENT OR RESISTANCE MEASUREMENTS TO DETERMINE THAT EXPOSED PARTS ARE ACCEPTABLY INSULATED FROM THE SUPPLY CIRCUIT.

NOTES:
1. Resistor values are in ohms (k=kilo-ohms, M=megohms).
2. Capacitor values are in microfarads (p=picofarads).
3. △Parts marked with this sign are safety critical components. They must always be replaced with identical components-refer to the appropriate parts list and ensure exact replacement.

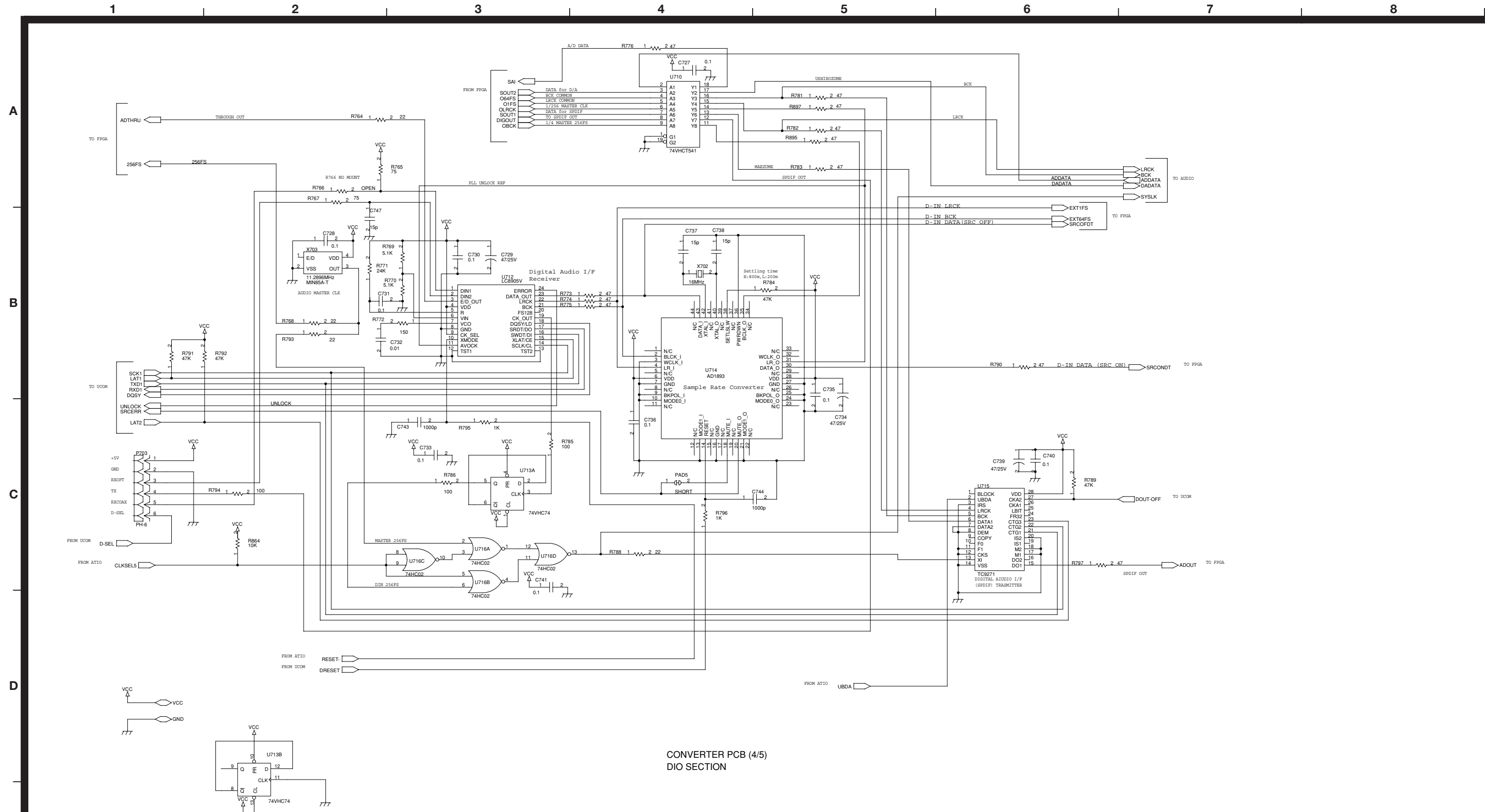
注意
1. 抵抗の単位はΩ (k=kΩ, M=MΩ) です。
2. コンデンサの単位はμF (p=pF) です。
3. △マークのある部品は安全規格重要部品です。交換するときは必ずティアック指定の部品を使用してください。

RW-H500

CD Rewritable Deck

1st Issue; May 2000

TEAC SCHEMATIC DIAGRAM RW-H500 CONVERTER PCB (4/5) (3E9024700B)



CONVERTER PCB (4/5)
DIO SECTION

INSTRUCTIONS FOR SERVICE PERSONNEL
BEFORE RETURNING APPLIANCE TO THE CUSTOMER, MAKE LEAKAGE-CURRENT OR RESISTANCE MEASUREMENTS TO DETERMINE THAT EXPOSED PARTS ARE ACCEPTABLY INSULATED FROM THE SUPPLY CIRCUIT.

NOTES:
 1. Resistor values are in ohms (k=kilo-ohms, M=megohms).
 2. Capacitor values are in microfarads (p=picofarads).
 3. △Parts marked with this sign are safety critical components. They must always be replaced with identical components-refer to the appropriate parts list and ensure exact replacement.

注意
 1. 抵抗の単位はΩ (k=kΩ, M=MΩ)です。
 2. コンデンサの単位はμF (p=pF)です。
 3. △マークのある部品は安全規格重要部品です。交換するときは必ずティアック指定の部品を使用してください。

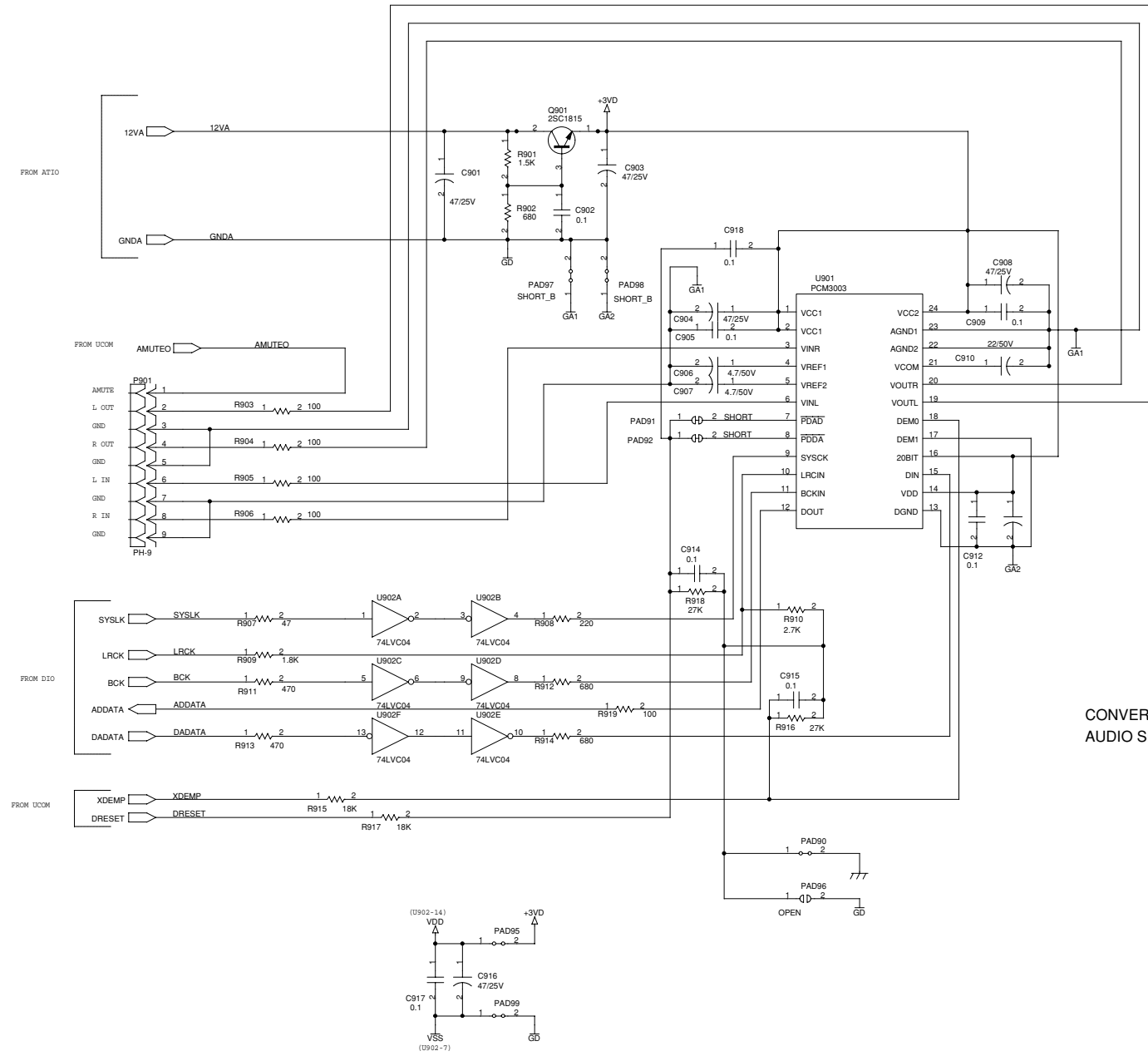
A

B

C

D

E



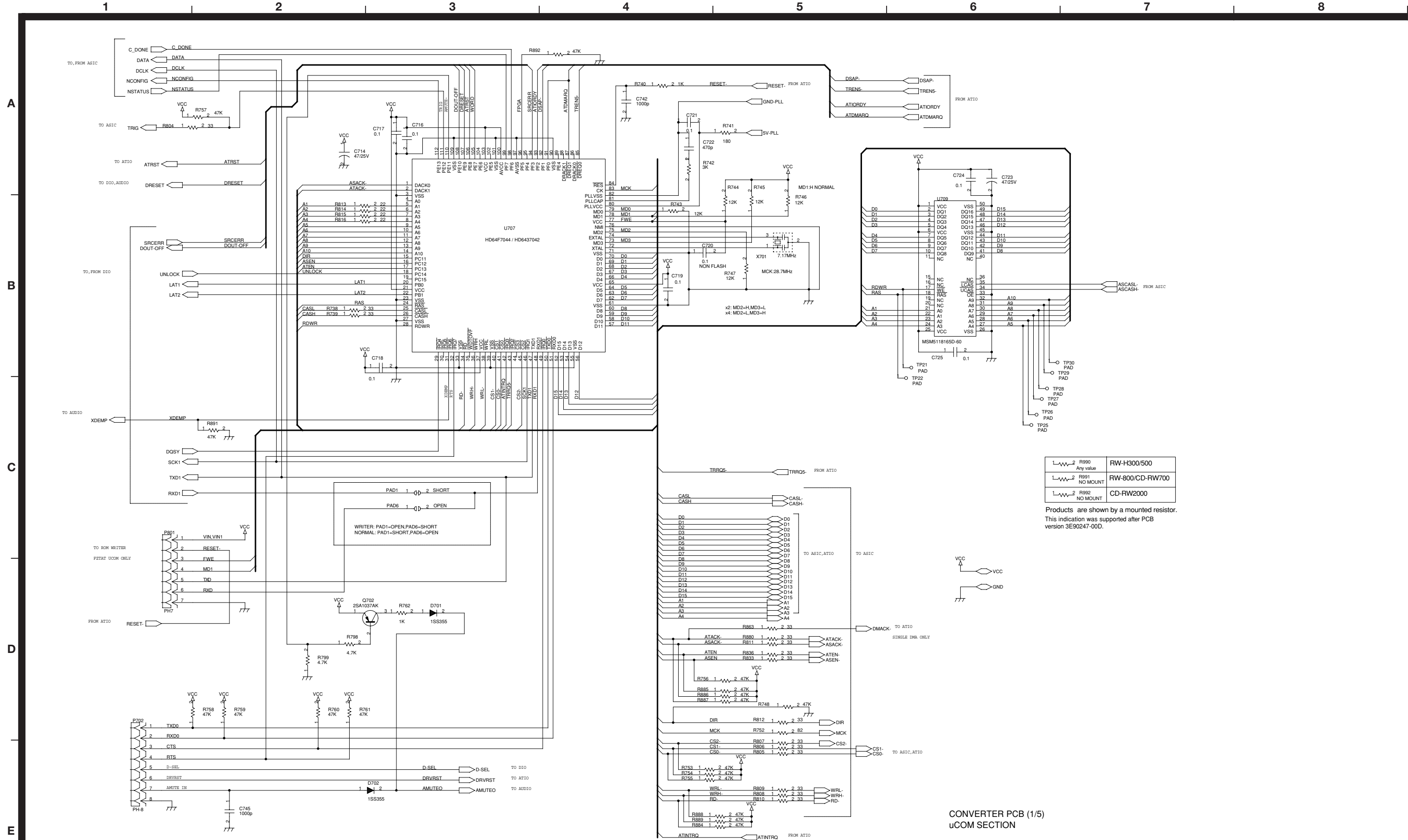
CONVERTER PCB (5/5)
AUDIO SECTION

INSTRUCTIONS FOR SERVICE PERSONNEL
BEFORE RETURNING APPLIANCE TO THE CUSTOMER, MAKE LEAKAGE-CURRENT OR RESISTANCE MEASUREMENTS TO DETERMINE THAT EXPOSED PARTS ARE ACCEPTABLY INSULATED FROM THE SUPPLY CIRCUIT.

NOTES:
 1. Resistor values are in ohms (k=kilo-ohms, M=megohms).
 2. Capacitor values are in microfarads (p=picofarads).
 3. Δ Parts marked with this sign are safety critical components.
 They must always be replaced with identical components-refer to the appropriate parts list and ensure exact replacement.

注意
 1. 抵抗の単位は Ω (k=k Ω , M=M Ω)です。
 2. コンデンサの単位は μF (p=pF)です。
 3. Δ マークのある部品は安全規格重要部品です。
 交換するときは必ずティアック指定の部品を使用してください。

TEAC SCHEMATIC DIAGRAM RW-H500 CONVERTER PCB (1/5) (3E9024700D)



$\text{---}\text{---}\text{---}$ R990	Any value	RW-H300/500
$\text{---}\text{---}\text{---}$ R991	NO MOUNT	RW-800/CD-RW700
$\text{---}\text{---}\text{---}$ R992	NO MOUNT	CD-RW2000

Products are shown by a mounted resistor. This indication was supported after PCB version 3E90247-00D.

INSTRUCTIONS FOR SERVICE PERSONNEL
BEFORE RETURNING APPLIANCE TO THE CUSTOMER, MAKE LEAKAGE-CURRENT OR RESISTANCE MEASUREMENTS TO DETERMINE THAT EXPOSED PARTS ARE ACCEPTABLY INSULATED FROM THE SUPPLY CIRCUIT.

NOTES:
 1. Resistor values are in ohms (k=kilo-ohms, M=megohms).
 2. Capacitor values are in microfarads (p=picofarads).
 3. Δ Parts marked with this sign are safety critical components. They must always be replaced with identical components-refer to the appropriate parts list and ensure exact replacement.

注意
 1. 抵抗の単位は Ω (k=k Ω , M=M Ω)です。
 2. コンデンサの単位は μF (p=pF)です。
 3. Δ マークのある部品は安全規格重要部品です。交換するときは必ずテック指定の部品を使用してください。

RW-H500

CD Rewritable Deck

1 st Issue; May 2000

TEAC SCHEMATIC DIAGRAM RW-H500 CONVERTER PCB (2/5) (3E9024700D)

1 2 3 4 5 6 7 8

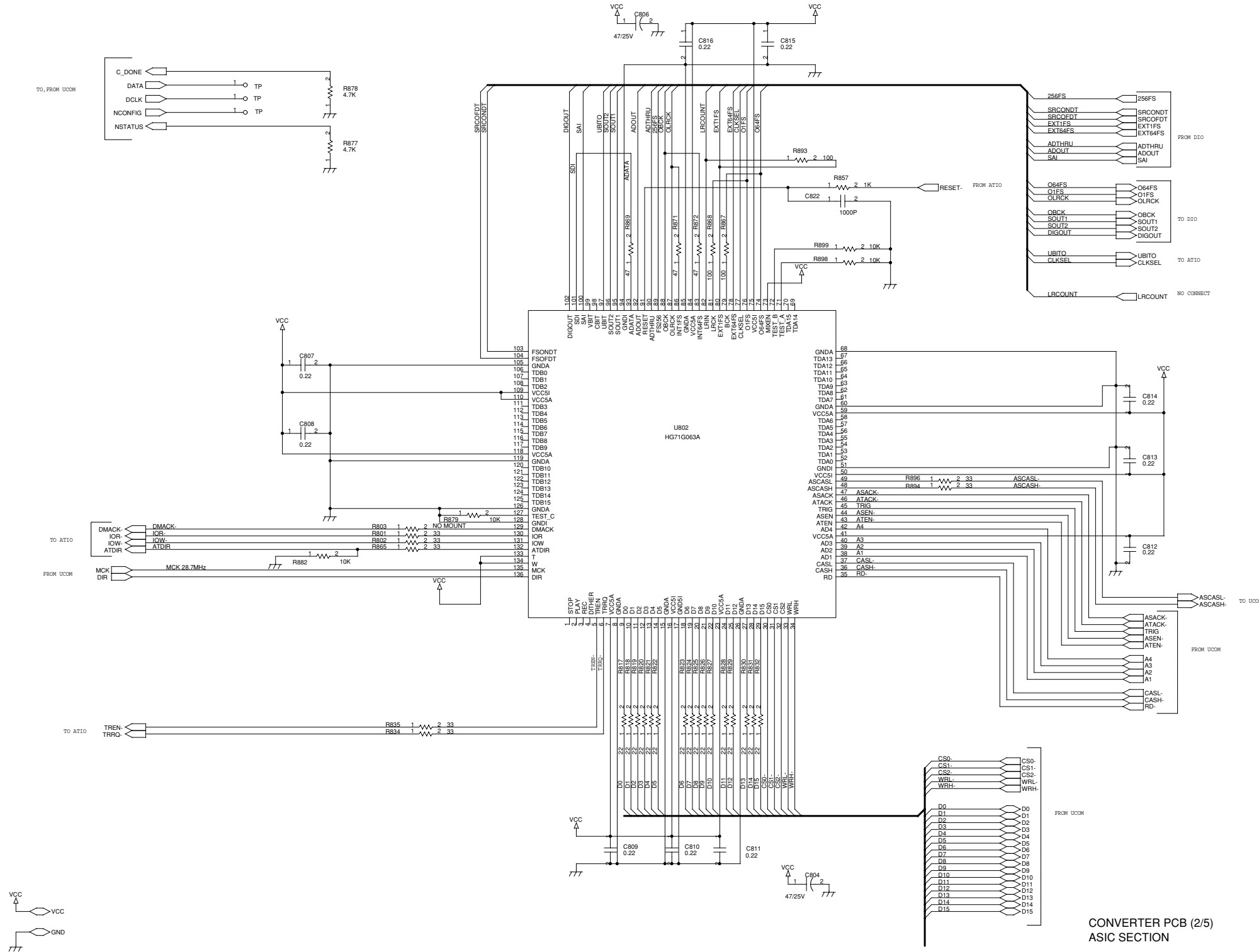
A

B

C

D

E



INSTRUCTIONS FOR SERVICE PERSONNEL
BEFORE RETURNING APPLIANCE TO THE CUSTOMER, MAKE LEAKAGE-CURRENT OR RESISTANCE MEASUREMENTS TO DETERMINE THAT EXPOSED PARTS ARE ACCEPTABLY INSULATED FROM THE SUPPLY CIRCUIT.

NOTES:
 1. Resistor values are in ohms (k=kilo-ohms, M=Megohms).
 2. Capacitor values are in microfarads (p=picofarads).
 3. Δ Parts marked with this sign are safety critical components.
 They must always be replaced with identical components-refer to the appropriate parts list and ensure exact replacement.

注意
 1. 抵抗の単位は Ω (k=k Ω , M=M Ω) です。
 2. コンデンサの単位は μF (p=pF) です。
 3. Δ マークのある部品は安全規格重要部品です。
 交換するときは必ずテック指定の部品を使用してください。

RW-H500

CD Rewritable Deck

1st Issue; May 2000

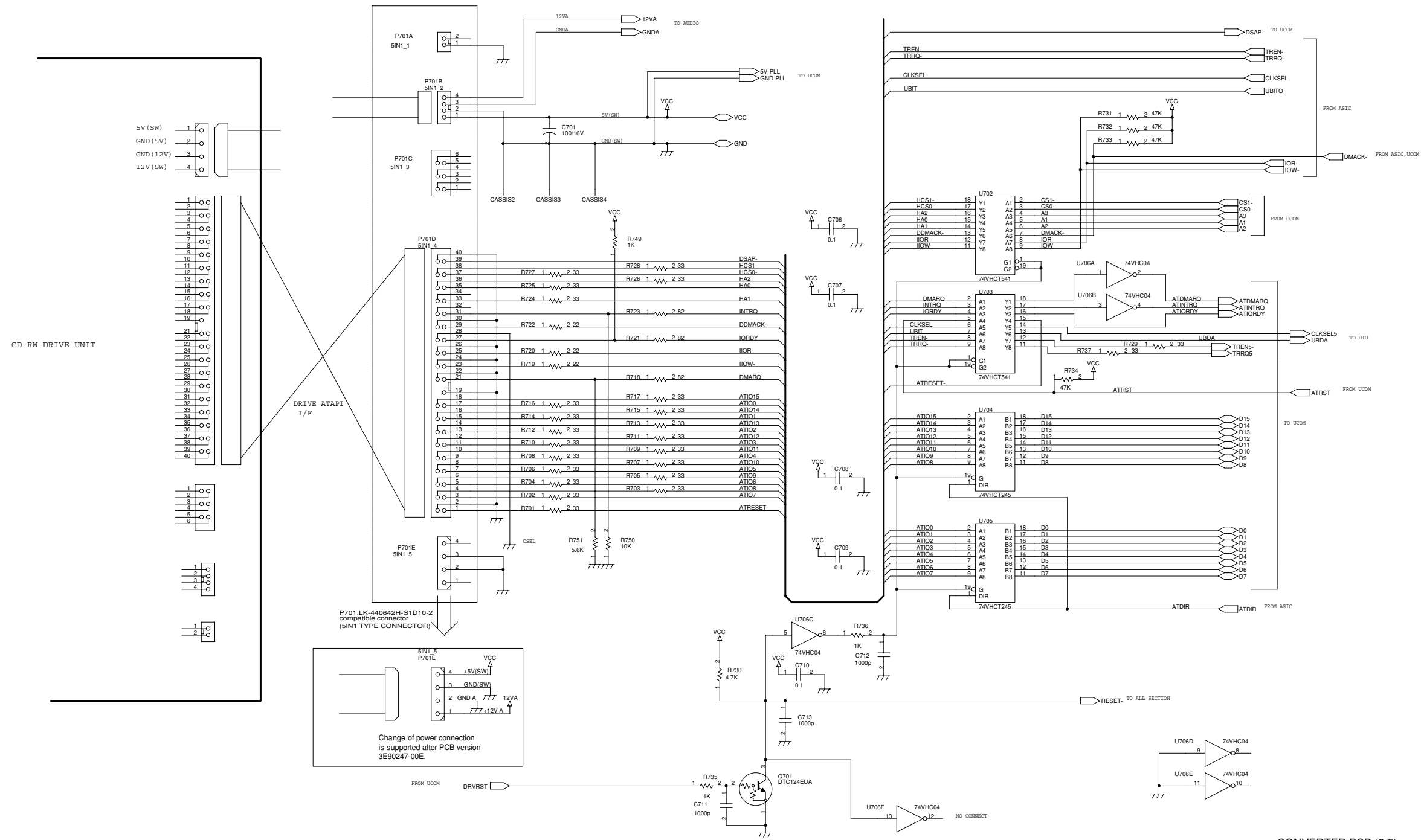
A

B

C

D

E



CONVERTER PCB (3/5)
ATIO SECTION

INSTRUCTIONS FOR SERVICE PERSONNEL
BEFORE RETURNING APPLIANCE TO THE CUSTOMER, MAKE LEAKAGE-CURRENT OR RESISTANCE MEASUREMENTS TO DETERMINE THAT EXPOSED PARTS ARE ACCEPTABLY INSULATED FROM THE SUPPLY CIRCUIT.

NOTES:
1. Resistor values are in ohms (k=kilo-ohms, M=megohms).
2. Capacitor values are in microfarads (p=picofarads).
3. Δ Parts marked with this sign are safety critical components. They must always be replaced with identical components-refer to the appropriate parts list and ensure exact replacement.

注意
1. 抵抗の単位は Ω (k=k Ω , M=M Ω) です。
2. コンデンサの単位は μF (p=pF) です。
3. Δ マークのある部品は安全規格重要部品です。交換するときは必ずテック指定の部品を使用してください。

TEAC SCHEMATIC DIAGRAM RW-H500 CONVERTER PCB (4/5) (3E9024700D)

1 2 3 4 5 6 7 8

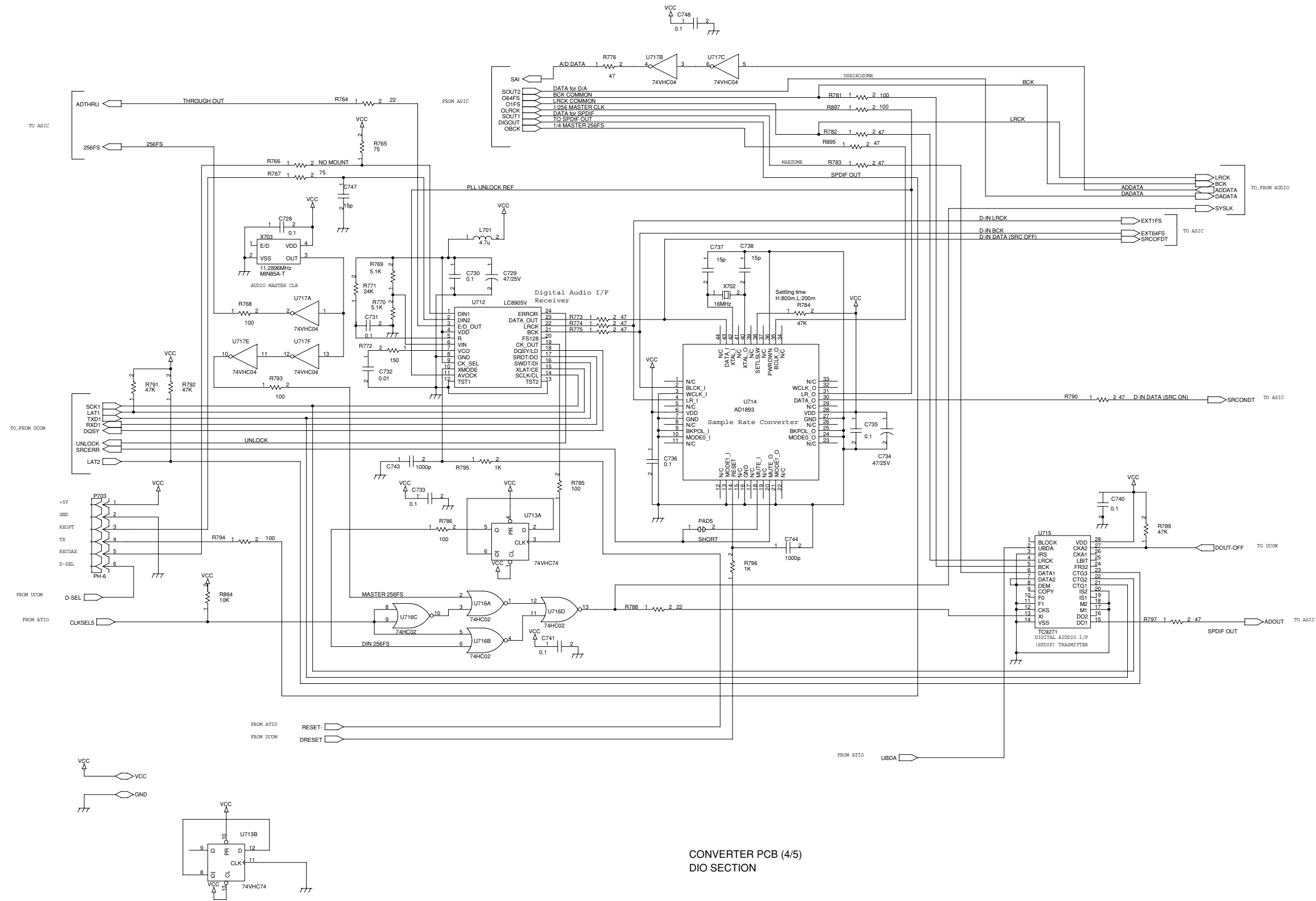
A

B

C

D

E



CONVERTER PCB (4/5)
DIO SECTION

INSTRUCTIONS FOR SERVICE PERSONNEL
BEFORE RETURNING APPLIANCE TO THE CUSTOMER, MAKE LEAKAGE-CURRENT OR RESISTANCE MEASUREMENTS TO DETERMINE THAT EXPOSED PARTS ARE ACCEPTABLY INSULATED FROM THE SUPPLY CIRCUIT.

NOTES:
1. Resistor values are in ohms (k=kilo-ohms, M=megohms).
2. Capacitor values are in microfarads (p=picofarads).
3. Δ Parts marked with this sign are safety critical components. They must always be replaced with identical components-refer to the appropriate parts list and ensure exact replacement.

注意
1. 抵抗の単位は Ω (k=k Ω , M=M Ω) です。
2. コンデンサの単位は μF (p=pF) です。
3. Δ マークのある部品は安全規格重要部品です。交換するときは必ずティアック指定の部品を使用してください。

RW-H500
CD Rewritable Deck
1 st Issue; May 2000

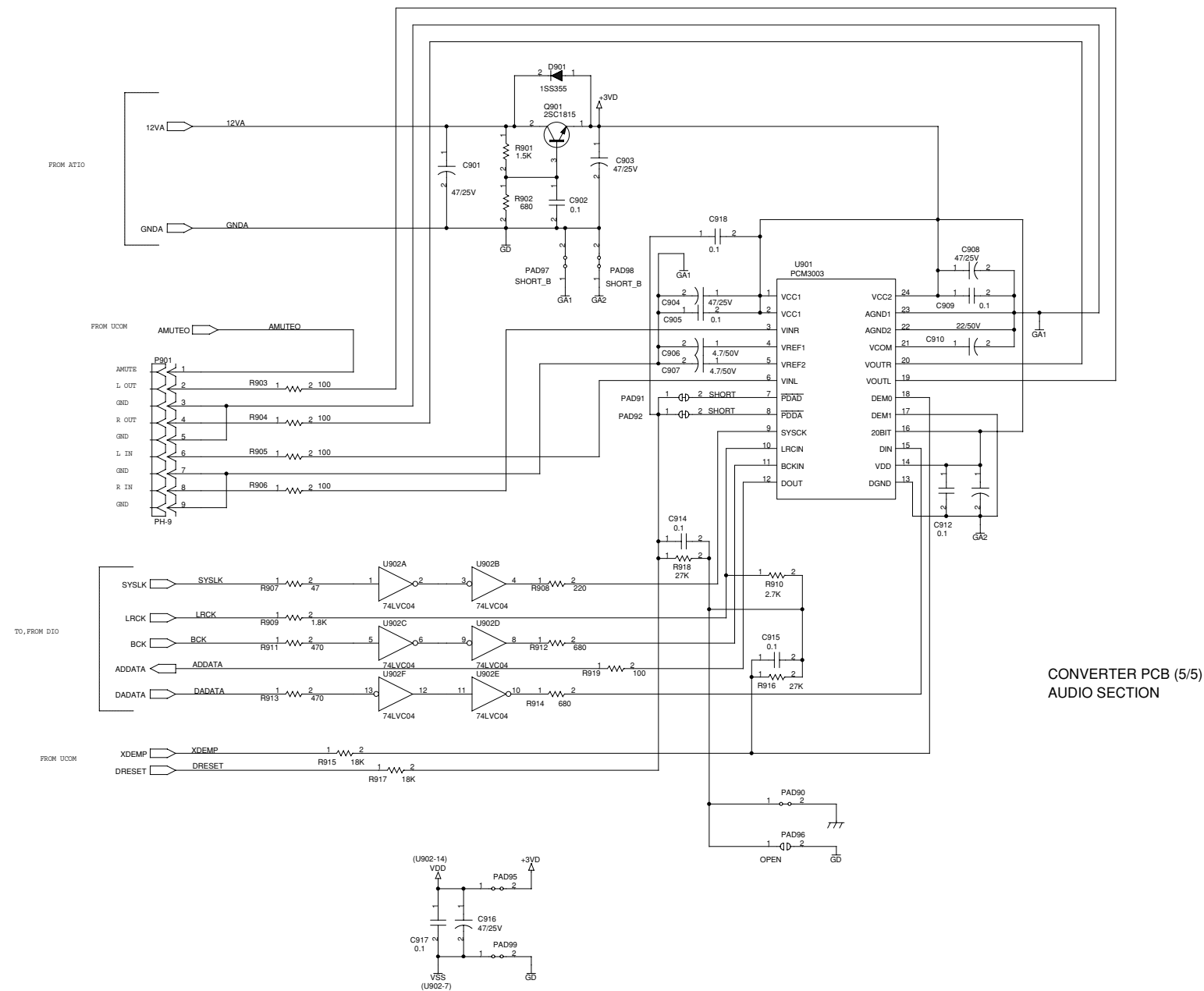
A

B

C

D

E



CONVERTER PCB (5/5)
AUDIO SECTION

INSTRUCTIONS FOR SERVICE PERSONNEL
BEFORE RETURNING APPLIANCE TO THE CUSTOMER, MAKE LEAKAGE-CURRENT OR RESISTANCE MEASUREMENTS TO DETERMINE THAT EXPOSED PARTS ARE ACCEPTABLY INSULATED FROM THE SUPPLY CIRCUIT.

NOTES:
1. Resistor values are in ohms (k=kilo-ohms, M=megohms).
2. Capacitor values are in microfarads (p=picofarads).
3. Δ Parts marked with this sign are safety critical components. They must always be replaced with identical components-refer to the appropriate parts list and ensure exact replacement.

注意
1. 抵抗の単位は Ω (k=k Ω , M=M Ω) です。
2. コンデンサの単位は μF (p=pF) です。
3. Δ マークのある部品は安全規格重要部品です。交換するときは必ずティアック指定の部品を使用してください。

A

B

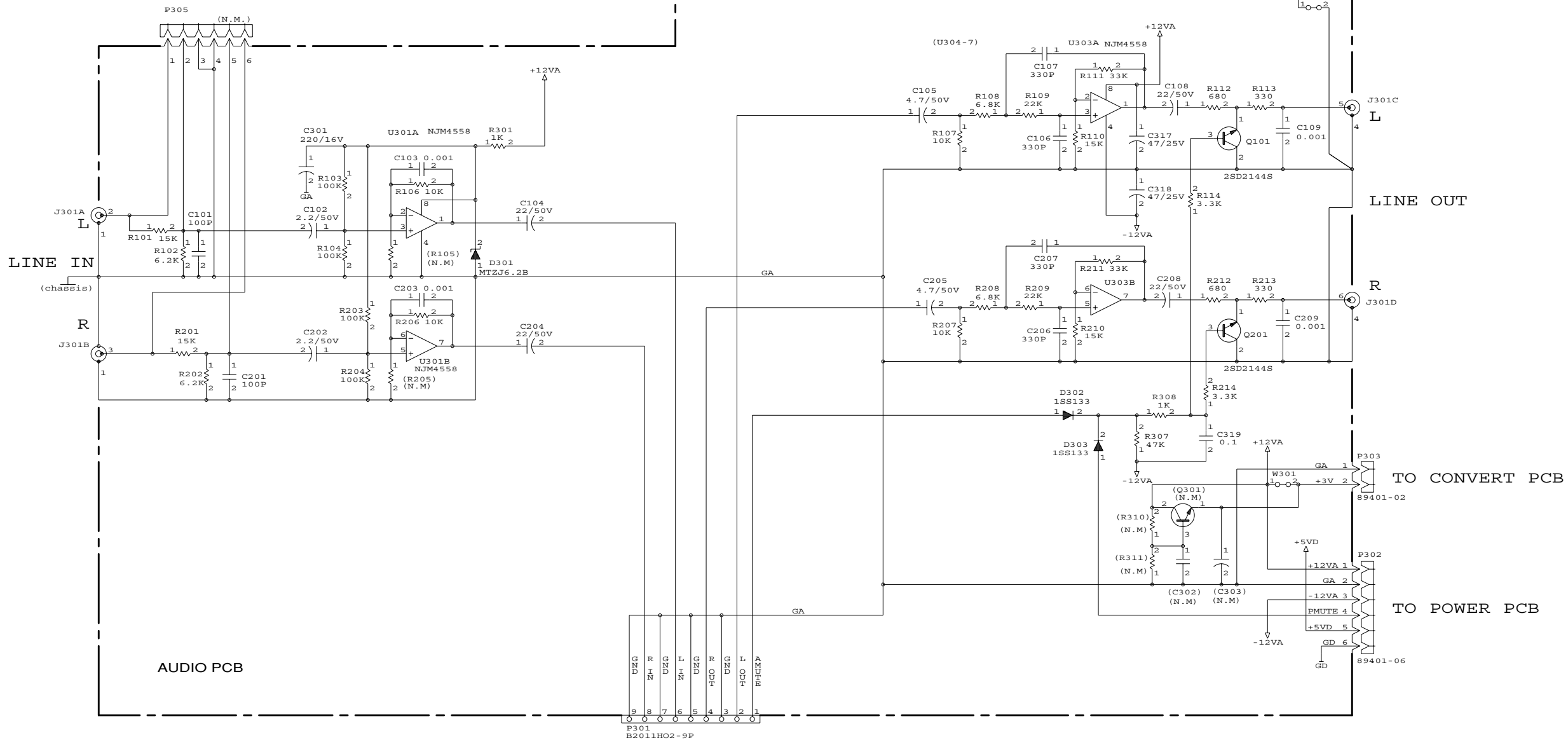
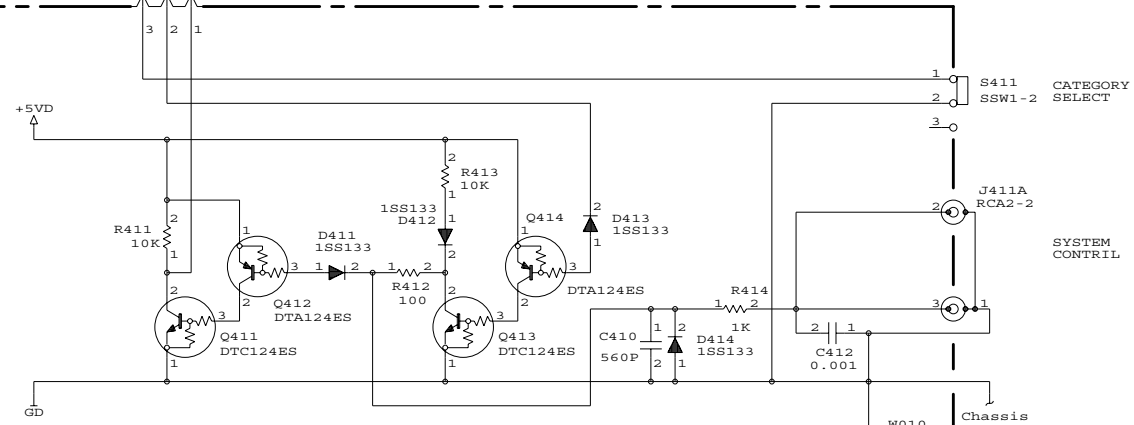
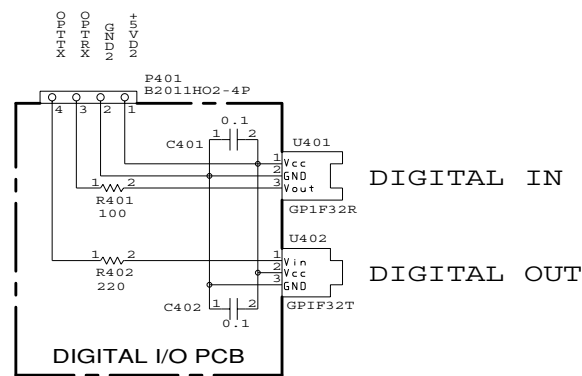
C

D

E

TO CONVERT PCB

TO FRONT PCB

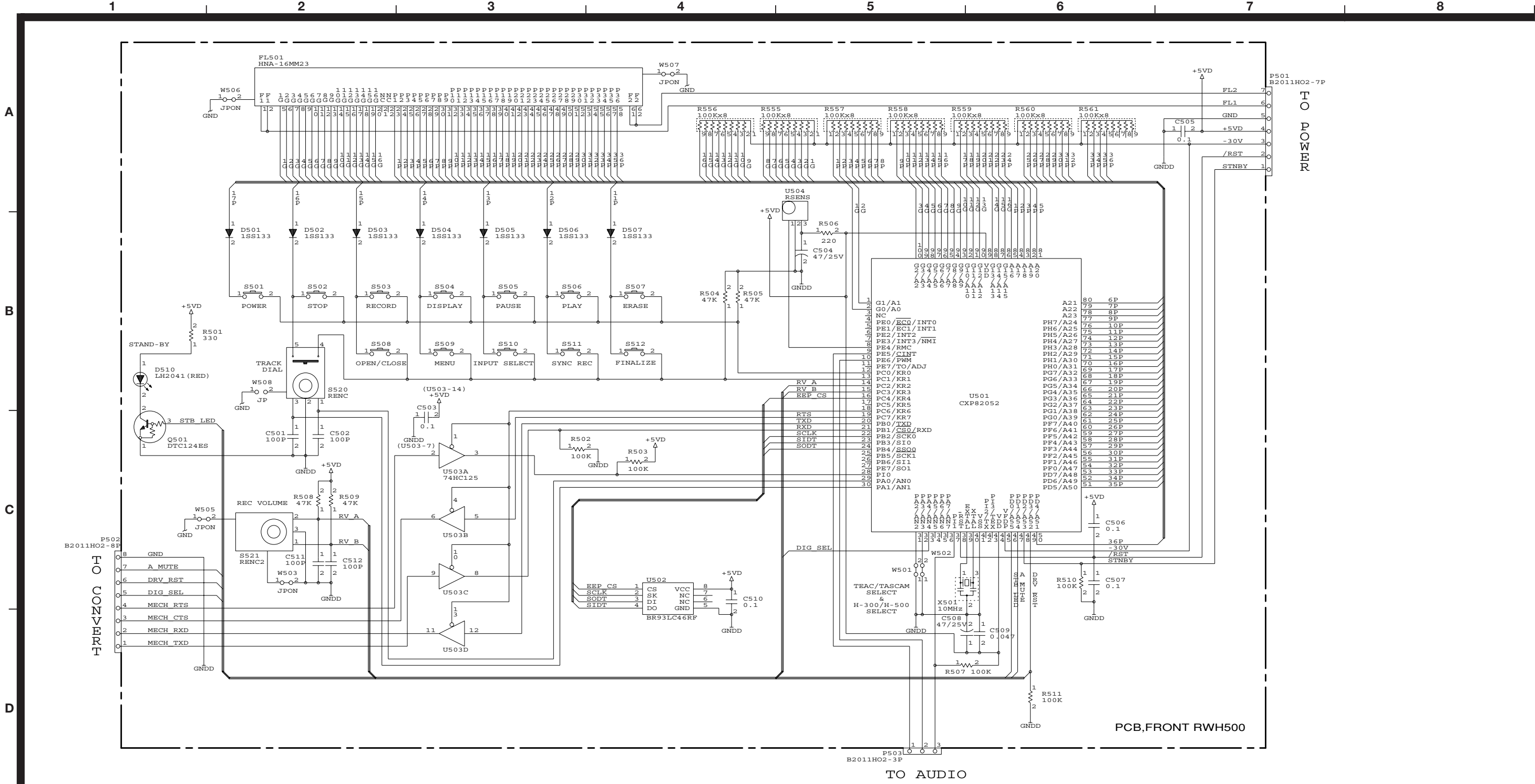


INSTRUCTIONS FOR SERVICE PERSONNEL
BEFORE RETURNING APPLIANCE TO THE CUSTOMER, MAKE LEAKAGE-CURRENT OR RESISTANCE MEASUREMENTS TO DETERMINE THAT EXPOSED PARTS ARE ACCEPTABLY INSULATED FROM THE SUPPLY CIRCUIT.

NOTES:
 1. Resistor values are in ohms (k=kilo-ohms, M=megohms).
 2. Capacitor values are in microfarads (μ=picofarads).
 3. △Parts marked with this sign are safety critical components. They must always be replaced with identical components-refer to the appropriate parts list and ensure exact replacement.

注意
 1. 抵抗の単位はΩ (k=kΩ, M=MΩ)です。
 2. コンデンサの単位はμF (p=pF)です。
 3. △マークのある部品は安全規格重要部品です。交換するときは必ずテック指定の部品を使用してください。

TEAC SCHEMATIC DIAGRAM RW-H500 FRONT PCB



INSTRUCTIONS FOR SERVICE PERSONNEL
BEFORE RETURNING APPLIANCE TO THE CUSTOMER, MAKE LEAKAGE-CURRENT OR RESISTANCE MEASUREMENTS TO DETERMINE THAT EXPOSED PARTS ARE ACCEPTABLY INSULATED FROM THE SUPPLY CIRCUIT.

NOTES:
 1. Resistor values are in ohms (k=kilo-ohms, M=megohms).
 2. Capacitor values are in microfarads (p=picofarads).
 3. Δ Parts marked with this sign are safety critical components.
 They must always be replaced with identical components-refer to the appropriate parts list and ensure exact replacement.

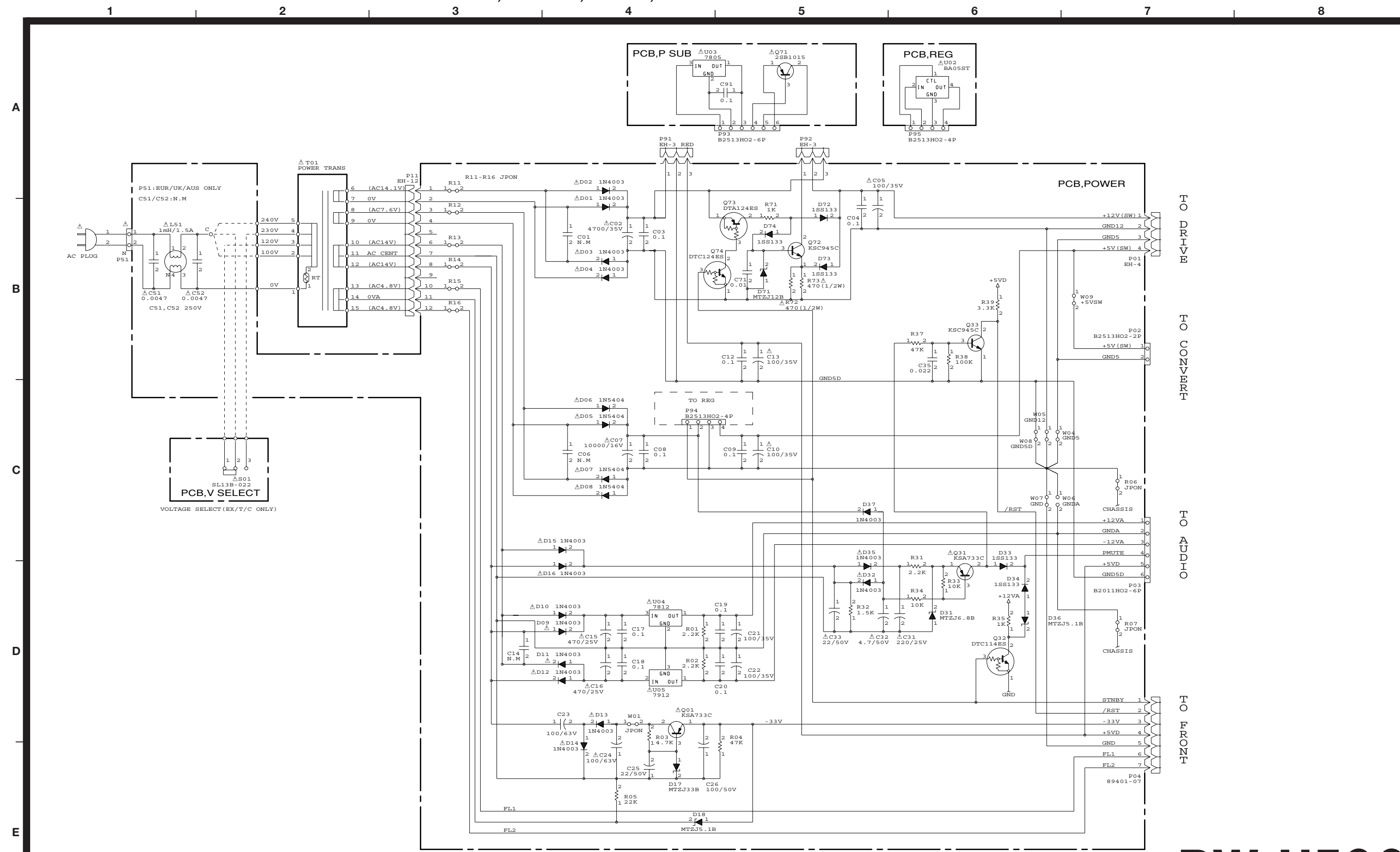
注意
 1. 抵抗の単位はΩ (k=kΩ, M=MΩ)です。
 2. コンデンサの単位はμF (p=pF)です。
 3. Δ マークのある部品は安全規格重要部品です。
 交換するときは必ずテック指定の部品を使用してください。

RW-H500

CD Rewritable Deck

1st Issue; May 2000

TEAC SCHEMATIC DIAGRAM RW-H500 POWER PCB, P SUB PCB, REG PCB, V SELECT PCB



INSTRUCTIONS FOR SERVICE PERSONNEL
BEFORE RETURNING APPLIANCE TO THE CUSTOMER, MAKE LEAKAGE-CURRENT OR RESISTANCE MEASUREMENTS TO DETERMINE THAT EXPOSED PARTS ARE ACCEPTABLY INSULATED FROM THE SUPPLY CIRCUIT.

NOTES:
 1. Resistor values are in ohms (k=kilo-ohms, M=megohms).
 2. Capacitor values are in microfarads (μ=picofarads).
 3. △Parts marked with this sign are safety critical components. They must always be replaced with identical components-refer to the appropriate parts list and ensure exact replacement.

注意
 1. 抵抗の単位はΩ (k=kΩ, M=MΩ) です。
 2. コンデンサの単位はμF (p=pF) です。
 3. △マークのある部品は安全規格重要部品です。交換するときは必ずテック指定の部品を使用してください。

RW-H500

CD Rewritable Deck

1st Issue; May 2000